
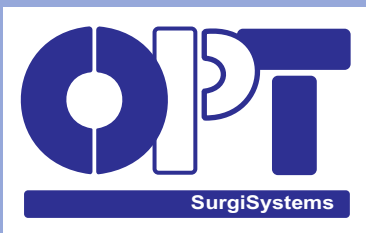


# Standard Configuration OPT 30/1

OPERATING TABLE "OPT 30/1 B"		"L" SHAPE ANAESTHESIA SCREEN	
WIRE REMOTE CONTROL		CLAMP WITH RADIAL SETTING	
HEAD SECTION		ARM SUPPORT HEIGHT ADJUSTABLE	
LEG SECTION		SINGLE GOEPEL KNEE CRUTCH	
		BODY/LEG SUPPORT	



**OPT SurgiSystems S.r.l.**  
**OPERATING TABLES SINCE 1921**  
 Single shareholder company, subject to management and coordination of TKB Corporati

Via Cesare Battisti, 17 - 38060 CALLIANO (TN) - ITALY  
 Tel. r.a. +39 0464 834336 - Fax +39 0464 835142  
 e-mail: info@opt-ita.com - www.opt-ita.com



*OPT SurgiSystems S.r.l. reserves the right to make any modification without prior notice.*

01-14 / FGB



# OPT 30/1 MULTIFUNCTIONS



The new operating table OPT 30/1 (with thoracic and renal positions integrated device) is up-to-dated in its class as far as aesthetical and innovative criteria are concerned, it is functional in any detail, safe and versatile in any use. OPT 30/1 has been designed and built in order to satisfy any requirement of the operating

room and can be easily used in any surgery discipline. A silent electro-hydraulic system that can be operated through an intergrated control panel, cable linked control unit, I.R control unit and foot pedal switch, allows 30° trendelenburg/ antitrendelenburg, 20° bi-lateral inclination and 360 mm height adjustment going from a min height of 710 mm to a max height of 1070 and self-levelling of the operating table



### Strong, modular, versatile

Table divided in 6 radiotransparent sections, interchangeable, complete with soft and removable, radiotranparent and antistatic pads, accessories rails, section 25x10 mm, for the application of the specialist accessories:

- Head-section titling and removable
- Back section titling with possibility of thoracic and renal position integrated device

- Pelvis section Two separated leg-section, each can be titled, spread and removable



### Manoeuvrable but extremely stable

The new OPT 30/1 has large wheels guaranteeing an excellent maneuverability in every situation.

An optional fifth wheel can be easily and rapidly raised/lowered by means of an innovative up/down foot command.

The stability of the table during the surgical procedures is guaranteed by four mechanical stabilization pistons.



### User interface

On the basis of the table there is a display for the self monitoring of the battery charge condition as well as the data transmission

correct operating. Equipped with an integrated control panel to allow all positioning movements.



### Control units

All the electrical functions are independent from each other and can be operated through:

- Integrated control panel (standard in delivery)
- I.R infrared control unit (optional)
- Cable linked control unit (optional)
- Foot pedal switch at 2 or 3 commands (optional)



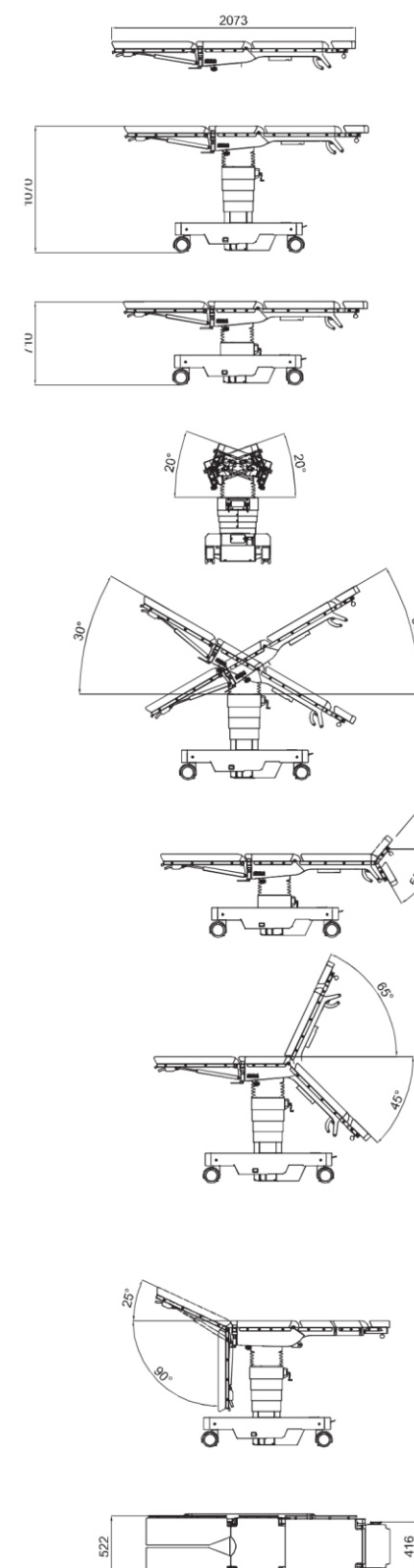
### Integration

OPT 30/1, through an optional system. Guarantees the full compatibility with the integrated operating rooms developed by the major worldwide integrators.



### Manual emergency override

An external device allows to perform manually the movements of the table in case of emergency.



PER TUTTE LE MOVIMENTAZIONI:  
TOLLERANZE LINEARI = +/-5mm  
TOLLERANZE ANGOLARI = +/-2°

## OPT 30/1 multifunctions - technical data

### Positioning:

**Raising / Lowering and Self-leveling** Electro-hydraulic

**Trendelenburg/Antit. and lateral inclination** Electro-hydraulic

**Head section** Double lever mechanical system

**Back section** Lever-operated compression springs

**Body elevator** Manual Crank Handle

**Leg section** Lever-operated compression springs

**Table lock/unlock** Mechanical system

**Emergency override (optional)** Manual

### Technical data

**H max** 1010 mm  
Without Cushion

**H min** 650 mm  
Without Cushion

**Height adjustment** 360 mm

**Trendelenburg** 30°

**Antitrendelenburg** 30°

**Bilateral Tilt** 20°

**Head section** 35° - 55°

**Lower Back section** 73° - 35°

**Leg section** 25° - 90°

**Leg section sperad** Using Mechanical Lever System

**Weight** 180 kg

**Lenght** 2077 mm

**Width** 522 mm

**Pads thickness** 60 mm

**Weight capacity** 250 kg