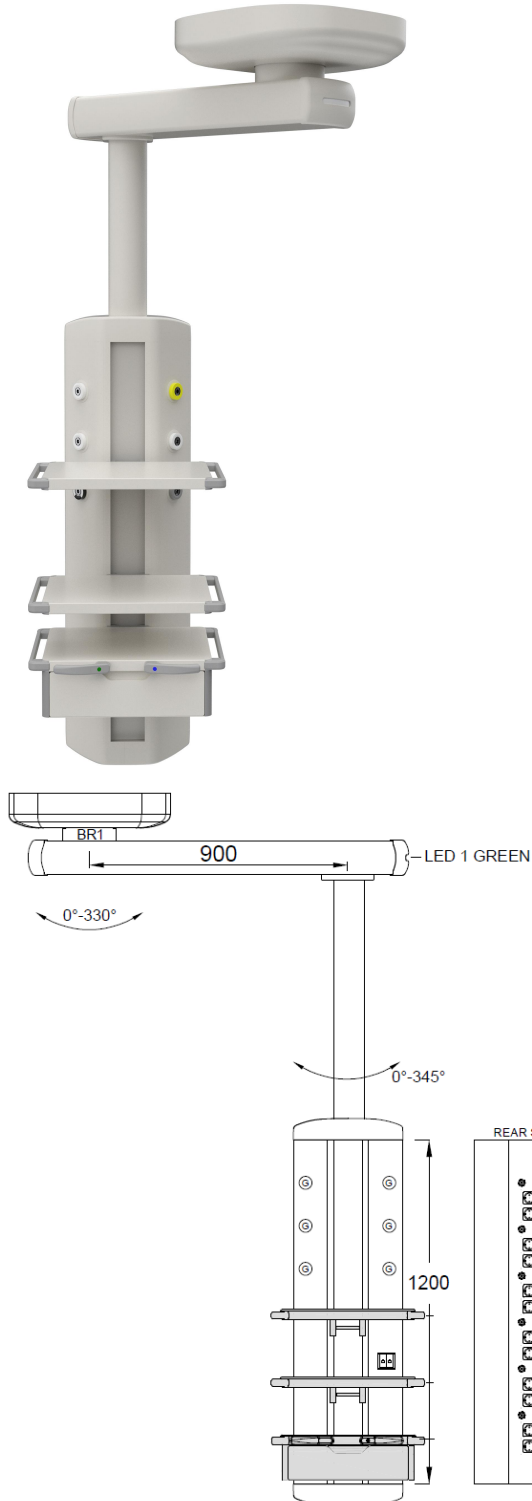


Model Name : Ceiling Pendant Unit Model Oki Isola for Surgical Pendant  
 Merk / Origin : LM Medical - Italy  
 Model / Type : 17-1151-010



#### Technical Data

<b>Payload</b>	192 Kg
<b>Colours</b>	RAL 9010 Matt
<b>Dimension</b>	
1° arm	900 mm (330° swivel)
<b>Brakes</b>	
1° arm	Pneumatic, 4-6 bar
Service column	Adjustable friction
<b>Fixing</b>	
Ceiling load	3.7 KN
Ceiling plate	450x450
Ceiling cover	560 x 560 mm
<b>Service column</b>	
Section	380 x 200 mm
Sides	3
Cables passage	Ø105 mm
Height	1000 mm
<b>Specs</b>	
Power supply	220/230 V 50 Hz
Outlets	12 Schuko socket 16A white
Circuits	2 circuits (6 socket each)
Gas outlets	2xO <sub>2</sub> , 1xMA4, 1xVAC, 1xCO <sub>2</sub> , 1xAIRMOTOR

#### Standard accessories:

<b>Shelf (x2)</b>	
Payload	40 Kg
Dimension	460x440
<b>Drawer</b>	
Payload	40 Kg
Dimension	440x440x170 mm
<b>Controls</b>	2 handles on front drawer